

MODEL. MPT2000-15



TECHINCAL DATA:

Capacity.	1500kg
Forks opening min/max.	550-2000mm
Fork length.	1200mm
Forks External	560mm
Single fork width	180mm
Battery	24v - 210Ah
Performance	15-18 pallets in one hour
Min. required height.	2450mm

Option for "wide base", inside fork distance 1300mm.

Forks movement synchronized

Battery charger incorporated automatic

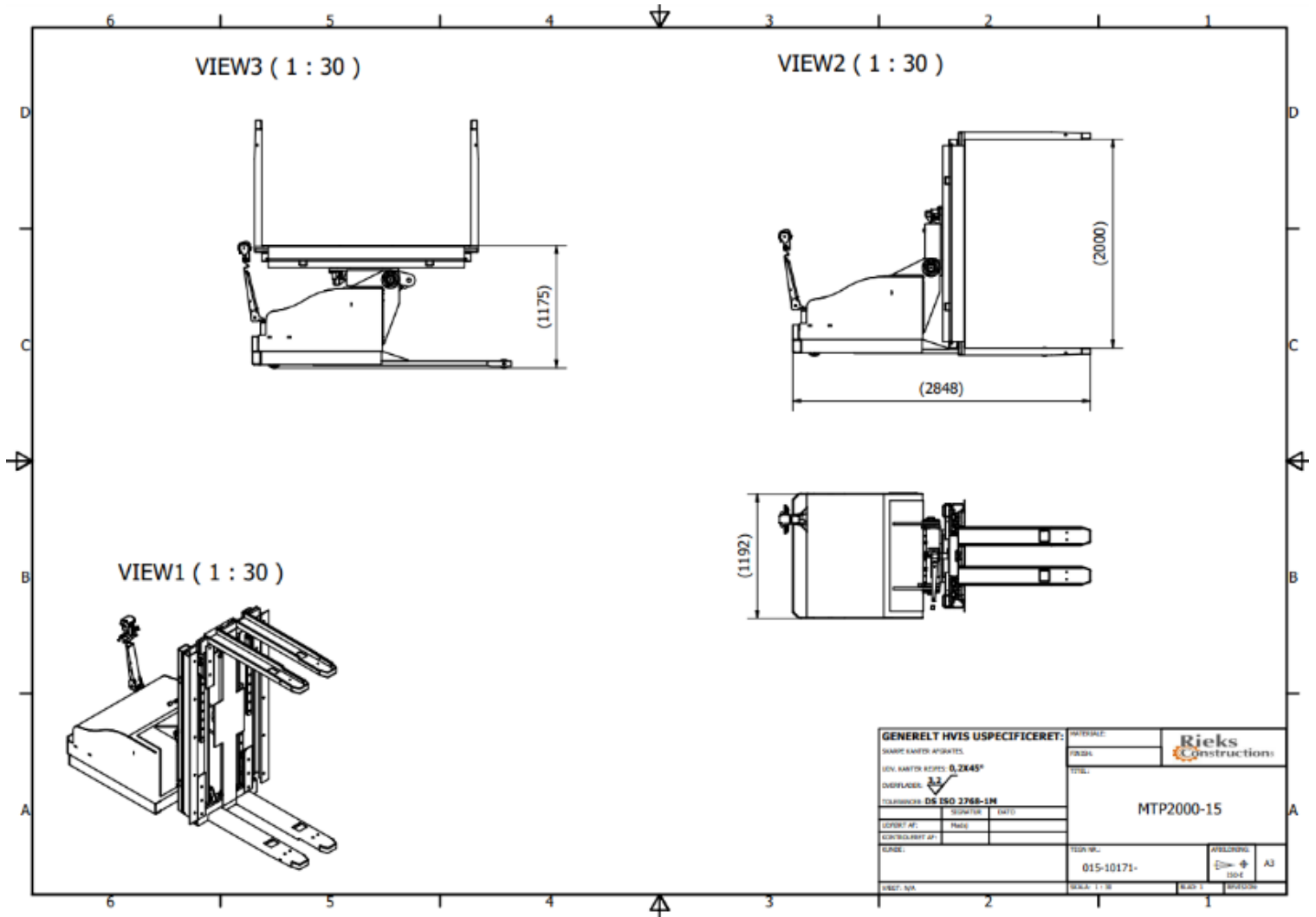
Traction electric

Electric control CURTIS for a delicate approach to material

Operating: Opening/Closing forks oleo dynamic. Overturning of 90degree angle oleo dynamic.

Rotation of an angle of 180degree manual.

Samzon MPT2000-15 Pallet Inverter is equipped with the latest electronic and mechanical components. The traction group has a 2000w electrical engine. The oleo-dynamic group has a 3000w engine with an incorporated pump to obtain elevate operative times. Besides the forks are controlled by an electro-valve allowing the operator to handle their movements through simple switches over the control board. The gripper unit is made of a solid loom over there are rested on aluminum controls of polyzene runners with a high resistance and long duration. Beside the gripper is also equipped with a support surface for the paper, aligned and precise. The paper or any kind of palletizable material can also be lifted and turned over without pressure between the forks, leaving it up to the operator the choice regarding how to work.



Pallet-Fix

